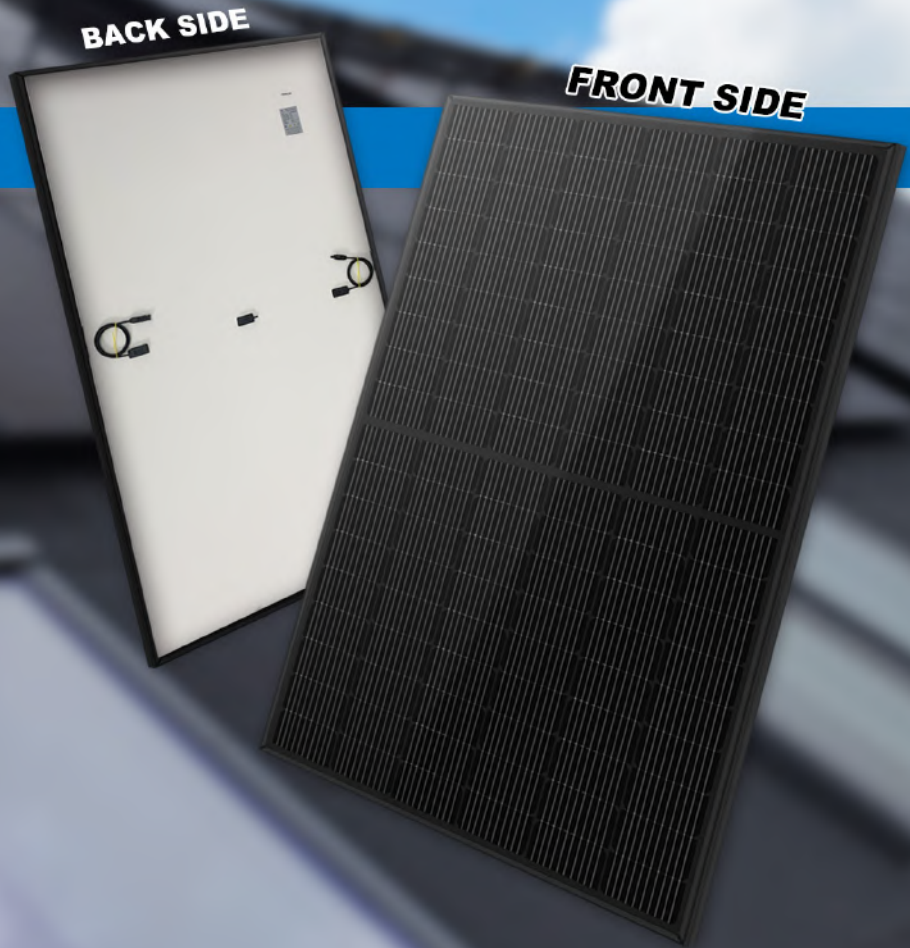




LEAPTON
SOLAR

LP182*182-M-54-MH
FULL BLACK MODULE

POWER RANGE
400W~410W



MBB Cell
New circuit design, lower internal current, lower internal resistance loss.



More competitive appearance
Full black front side and White back side, Increase the beauty while reducing the price.



Harsh Environmental Adaptability
Strict salt spray and ammonia corrosion test by TUV Nord.



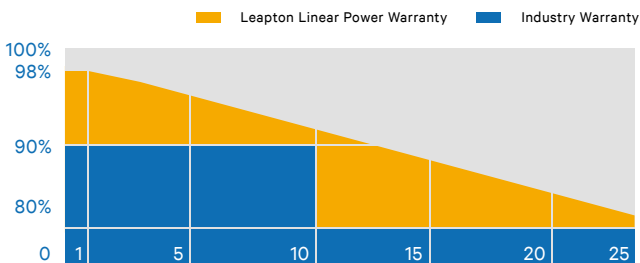
Low Light Features
Higher performance under low light environment.



PID Protection
Ensure the attenuation probability caused by PID phenomenon is minimized.



Load Capacity
Mechanical load tests including wind load 2400 Pa and snow load 5400 Pa done by TUV Nord.



IEC 61215-2: 2016
IEC 61730-2: 2016



Headquarter : Leapton Energy Co., Ltd.

Tosei Bldg. 6F, 1-2-1 Aioi-cho, Chuo-ku Kobe-shi, Hyogo, 650-0025, Japan

+81-78-382-3182

www.leaptonenergy.jp

Manufacturer : Leapton Solar (Changshu) Co., Ltd.

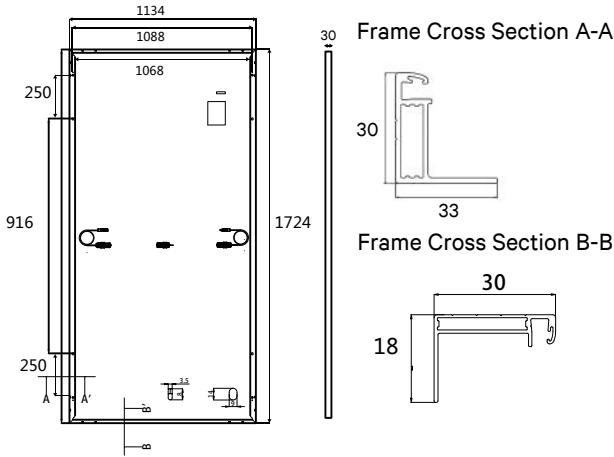
No.9, Sunshine Avenue, Changshu City, Jiangsu, China

+86-512-88800068

info@leaptonenergy.com

www.leaptonpv.com

MECHANICAL DIAGRAMS



SPECIFICATIONS

Weight	21.5kg
Dimensions	1724mm*1134mm*30mm
Cell Dimensions	182*182mm
Cell Amount	54*2 pcs
Maximum System Voltage	1000V
Junction Box	IP68
Frame	Aluminum Alloy
Cable	4mm ² , Landscape: N 1100mm/P 1100mm Portrait: N 300mm/P 300mm
Connector	MC4 compatible
Application Level	Class A

ELECTRICAL PARAMETERS AT STC

Power	400W	405W	410W
Open Circuit Voltage	36.94V	37.14V	37.34V
Short Circuit Current	13.60A	13.65A	13.70A
Maximum Power Voltage	30.92V	31.12V	31.32V
Maximum Power Current	12.94A	13.00A	13.06A
Module Efficiency	20.46%	20.72%	20.97%

* Under Standard Test Conditions (STC) of irradiance of 1000 W/m², spectrum AM 1.5 and cell temperature of 25°C.

ELECTRICAL PARAMETERS AT NMOT

Power	295W	298W	302W
Open Circuit Voltage	34.49V	34.69V	34.89V
Short Circuit Current	10.70A	10.75A	10.80A
Maximum Power Voltage	28.78V	28.98V	29.18V
Maximum Power Current	10.25A	10.28A	10.35A
Module Efficiency	15.09%	15.24%	15.45%

* Under Nominal Module Operating Temperature (NMOT), irradiance of 800 W/m², spectrum AM 1.5, ambient temperature 20°C, wind speed 1 m/s.

TEMPERATURE CHARACTERISTICS

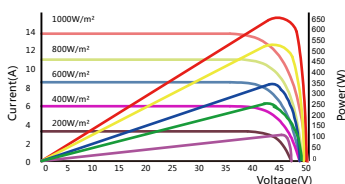
NMOT	41±3°C	Temp Coefficient of ISC	+0.05%/°C
Temp Coefficient of VOC	-0.28%/°C	Temp Coefficient of Pmax	-0.36%/°C

PACKING CONFIGURATION

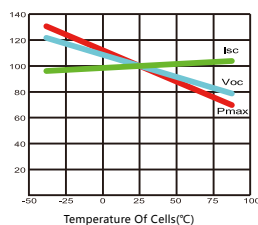
Modules/Pallet	36 Pieces	Modules/40'Container	936 Pieces
Packing Description	26 Pallets, Total=(36+36)x13=936 Pieces		

CHARACTERISTICS

LP182*182-M-54-MH-400W



LP182*182-M-54-MH-400W



MAXIMUM RATING

Output Tolerance	0~+5W
Operating Temperature	-40°C~+85°C
Wind Load/Snow Load	2400pa/5400pa
Fuse Current	25A




Headquarter : Leapton Energy Co., Ltd.

📍 Tosei Bldg. 6F, 1-2-1 Aioli-cho, Chuo-ku Kobe-shi, Hyogo, 650-0025, Japan

☎ +81-78-382-3182

🌐 www.leaptonenergy.jp

Manufacturer : Leapton Solar (Changshu) Co., Ltd.

📍 No.9, Sunshine Avenue, Changshu City, Jiangsu, China

☎ +86-512-88800068

✉ info@leaptonenergy.com

🌐 www.leaptonpv.com